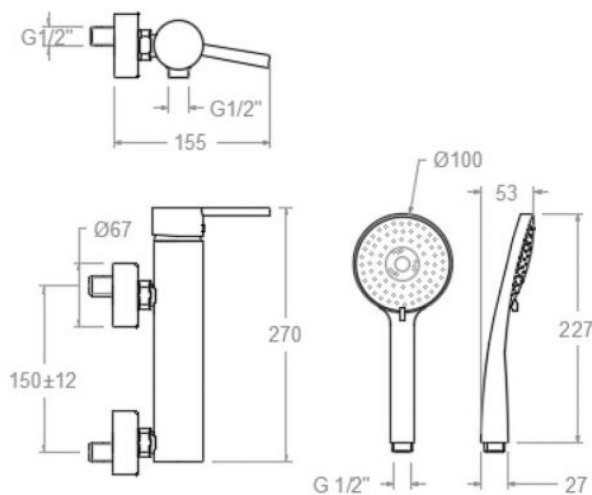


# ramonsoler.

→ Ficha Técnica  
Data Sheet  
Fiche Technique  
Technisches Datenblatt

Drako





## BREH3308 T3 CHROME (BREH3308S+5840T3+3726+1128C) 6L BREH3308T3

<b>Collection:</b>	<b>Finish:</b>	<b>Code:</b>
Drako	Chrome	33D307032
<b>Location:</b>	<b>Category:</b>	
Hotels	Shower	

### Technical characteristics

- Ceramic cartridge Ø40 mm.
- Water saving system S2 through the handle opening in two fases.
- Flow rate: 6 l/min (stable for the range 1.5-5.5 bar and temperature 15-55°C)
- Thermal shock resistant and anti-Legionella chemical.
- Guarantee of 5 year for tapware and 3 years for accesories.
- Use pressure between 1-5 bar. Recomendated pressure 3 bar.
- Resists static pressure equal to or less than 10 bar and water hammer up to 25 bar.
- 3 bar acoustic level less than 20 dB.
- Comfort benefits of fidelity, sensibility and constancy in temperature selection.
- Recommended temperature of use from 15°C to 55°C. Maximum use temperature 65°C. Maximum 1h at 90°C
- Chromed surface: 15 microns thick of nickel and 0.3 microns thick of chrome.
- Termostop Black system for maximum water temperature limitation.

### Tests

- Water tightness, flow rate, mechanical behavior under pressure, mechanical resistance, dimensional, acoustical and corrosion test according to european standards EN 817 and EN 248.

### Composition and spare parts

- Handle: 3300-40 (217194)
- Cartridge nut cover: 3380 (230442)
- Cartidge: 40200 (253653)
- Check valve: ARD-C6 (AAZ306981)
- Seat: AGM-6I (253050)
- Escutcheon: 1323 (220749)
- Hand shower: 5840SCT3 (255507)
- Shower support: 3726 (196701)
- Shower flexible hose: 1128C SC (208176)







**ramonsoler.**

→ [rsramonsoler.com](https://rsramonsoler.com)