

# ramonsoler.

→ Ficha Técnica  
Data Sheet  
Fiche Technique  
Technisches Datenblatt



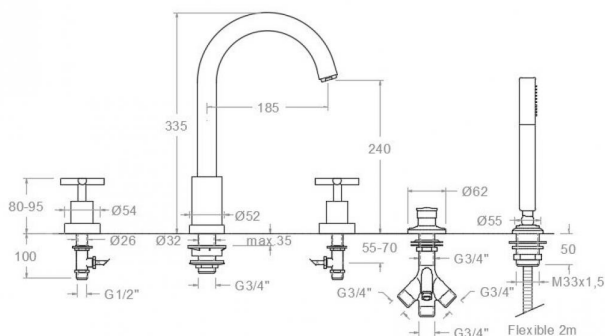
"RS-Cross, Twin lever deck mounted bath shower tap with shower kit"  
623302M

Collection: Finish: Code:  
Bath Chrome 62C301673  
Category:  
Bathtub



## Technical characteristics

- Conventional headwork G1/2.
- Diverter 2 ways without closure.
- Flow rate at 3 bar: 20 l/min through bath outlet and 12 l/min through shower outlet.
- Anti-limescale nozzles system.
- Thermal shock resistant and anti-Legionella chemical.
- Guarantee of 5 year for tapware and 3 years for accesories.
- Use pressure between 1-5 bar. Recomendated pressure 3 bar.
- Resists static pressure equal to or less than 10 bar and water hammer up to 25 bar.
- 3 bar acoustic level less than 20 dB.
- Recomendated temperature for hot water: 55°C. Maximum temperature of use: 65°C up to 1 hour at 90°C.
- Chromed surface: 15 microns thick of nickel and 0.3 microns thick of chrome.



## Tests

- Water tightness, flow rate, mechanical behavior under pressure, mechanical resistance, dimensional, acoustical and corrosion test according to european standards EN 200 and EN 248.

## Observations







**ramonsoler.**

→ [rsramonsoler.com](https://rsramonsoler.com)